

209008-02CF

A **L3516** **x30**

B **8x30 mm.** **x16**

C **ø16 mm.** **x8**

D **x8**

E **7x60 mm.** **x8**

L4530 **4.5x30 mm.** **x6**

M11 **3.5x16 mm.** **x4**

P **x6**

R **x12**

R1 **x4**

T20 **ø20 mm.** **x8**

H2T **209008-08CC** **x4**

C0 **x4**

L15 **4x15 mm.** **x8**

209493-07GUI

CL **x1**

CR **x1**

DR **x1**

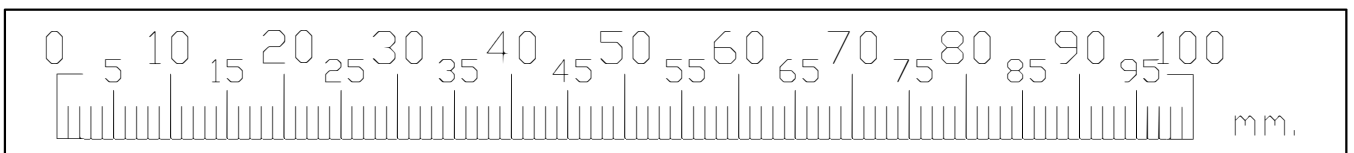
DL **x1**

C1 **531010-01SCFS** **x4**

D1 **ø12 mm.** **x4**

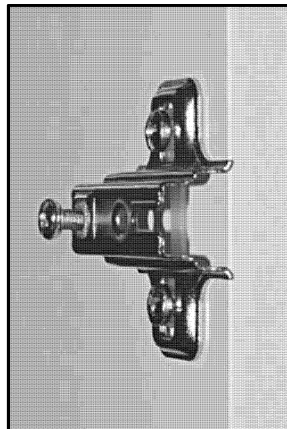
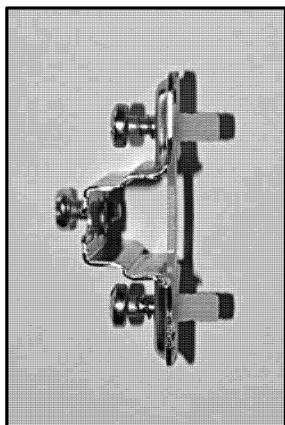
F21 **205124-06PIE** **x6**

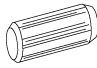
ø 60 mm
h 20 mm

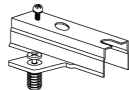


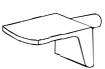
1

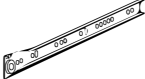
H2T





B  **8x30 mm. x16**

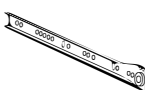
H2T  **x4**

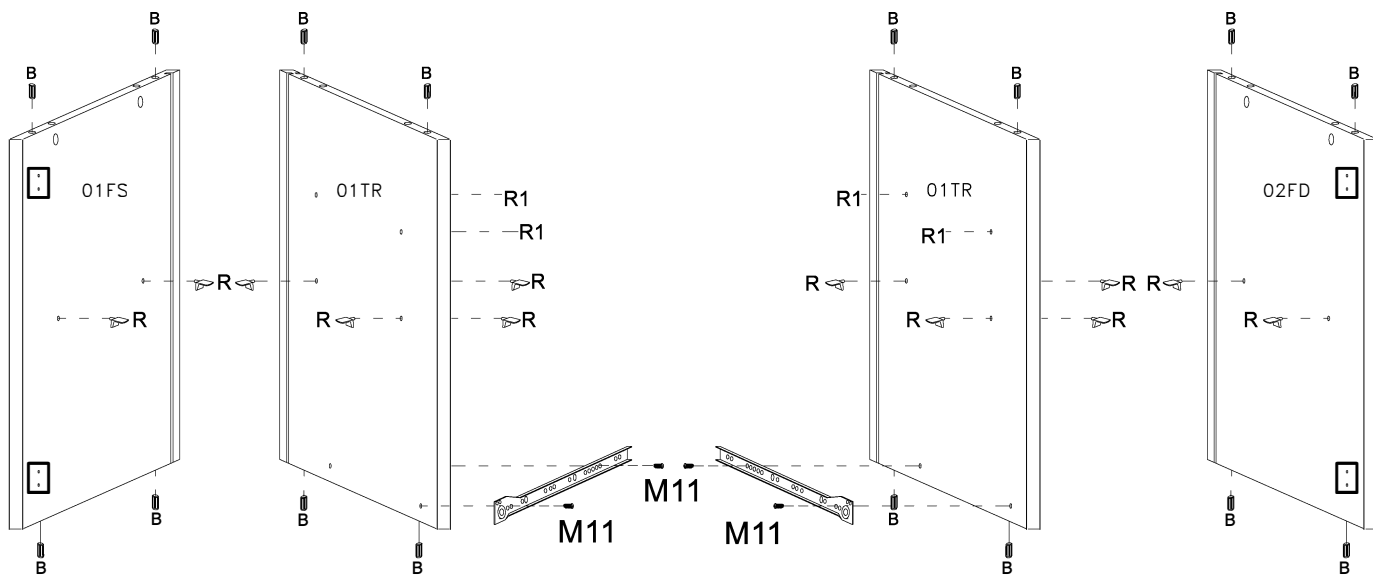
R  **x12**

CL  **x1**

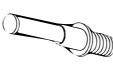
M11  **6. x11mm. x4**

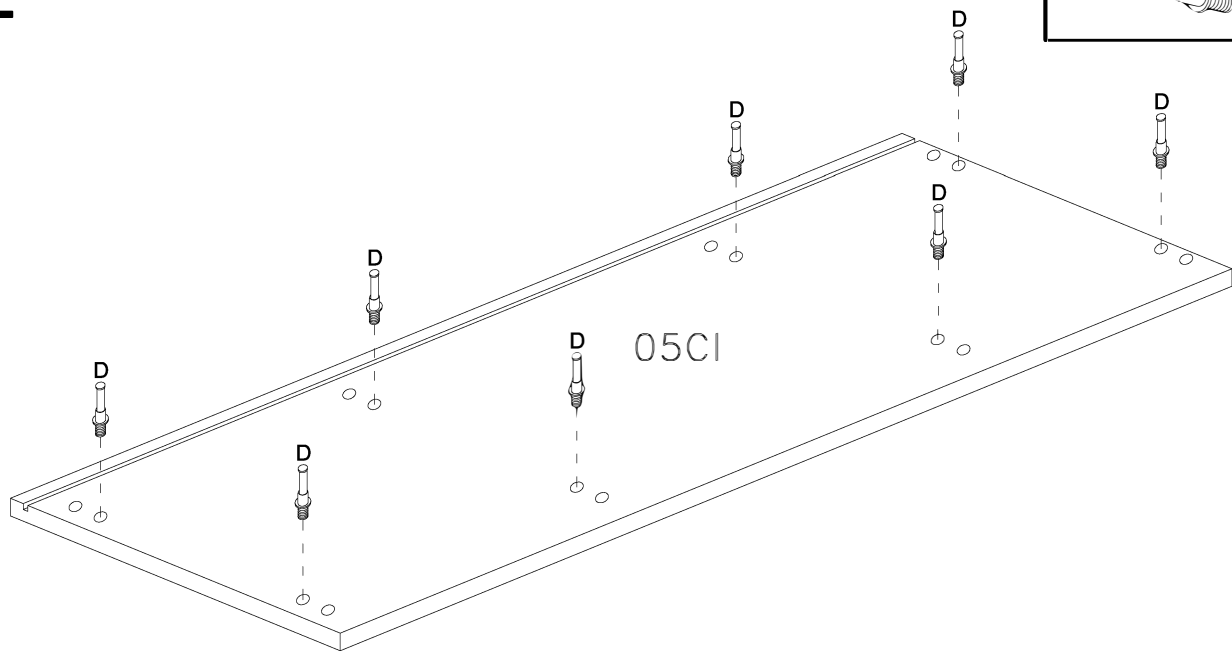
R1  **x4**

CR  **x1**

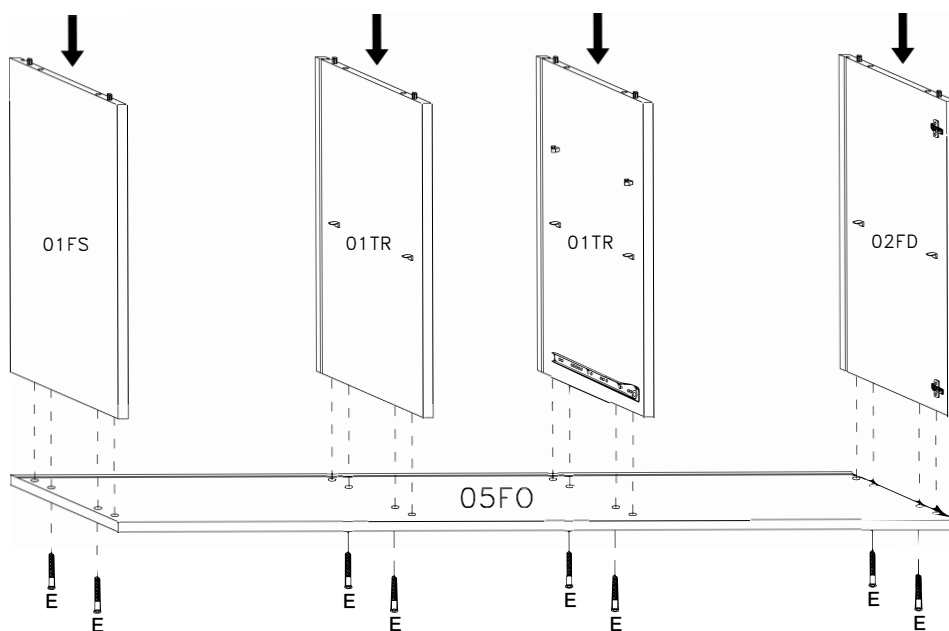




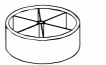
2

D  **x8**

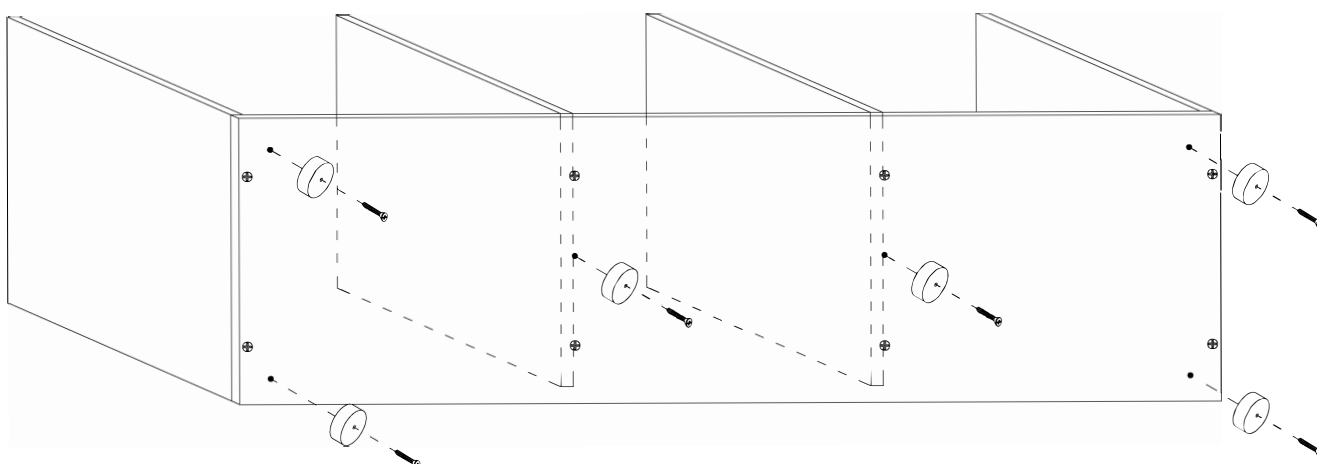
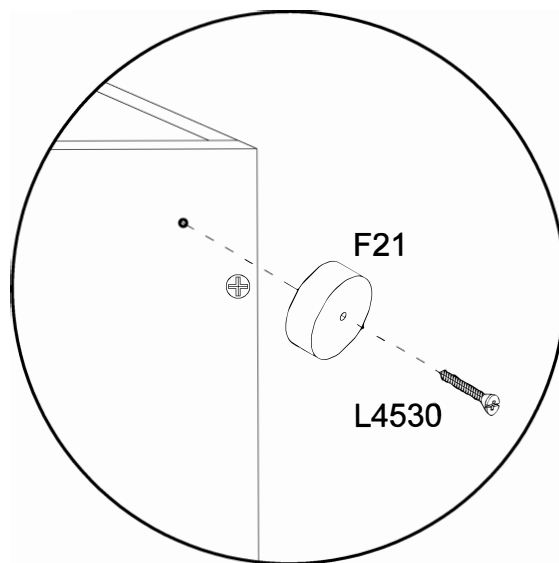
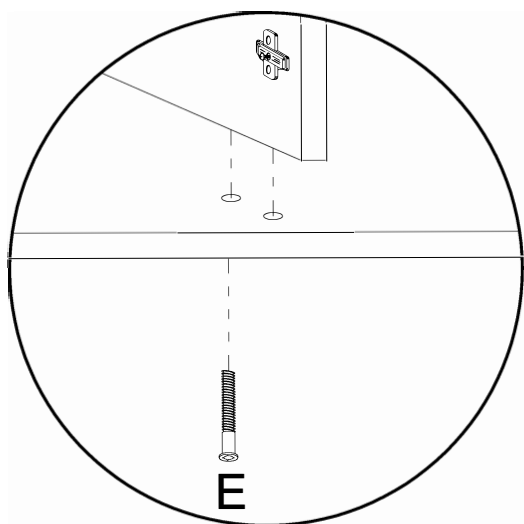


3

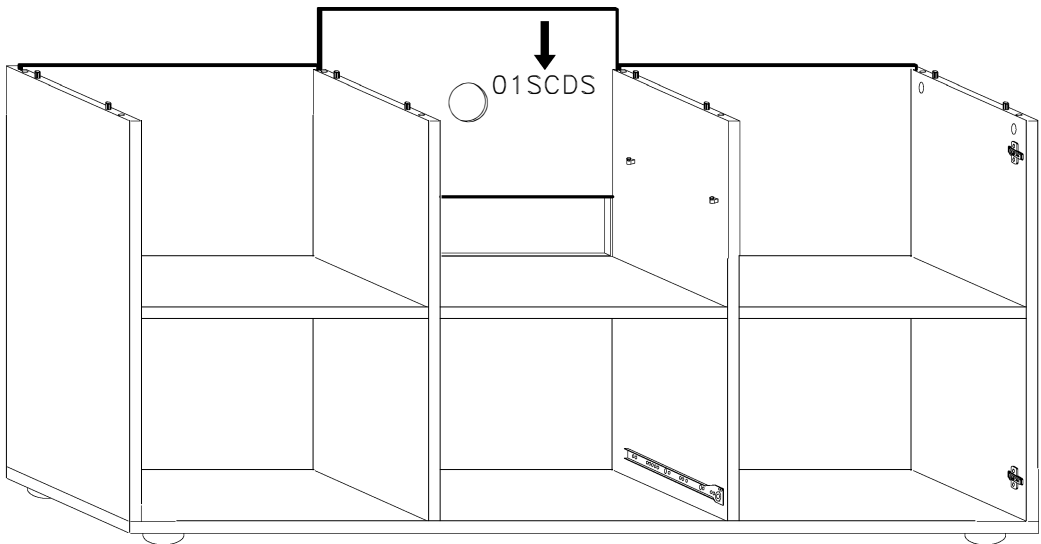
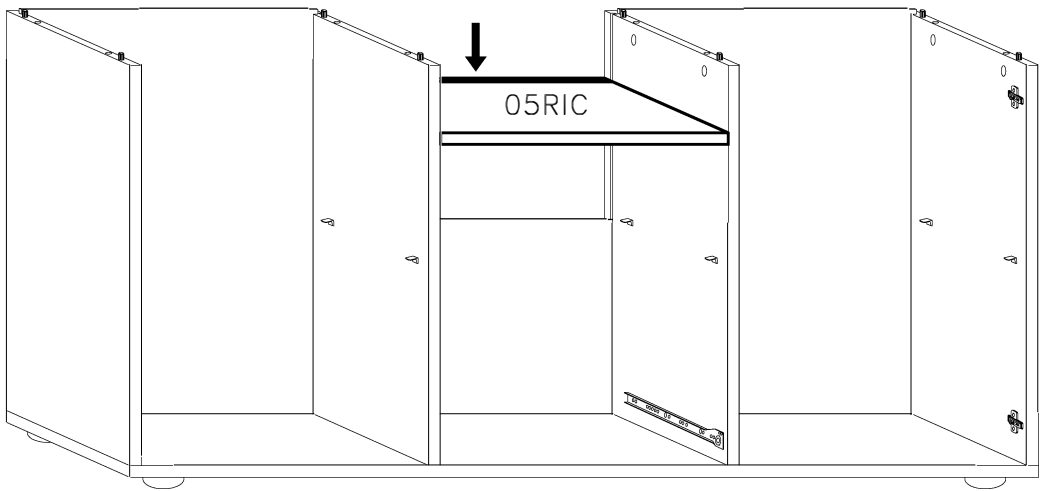
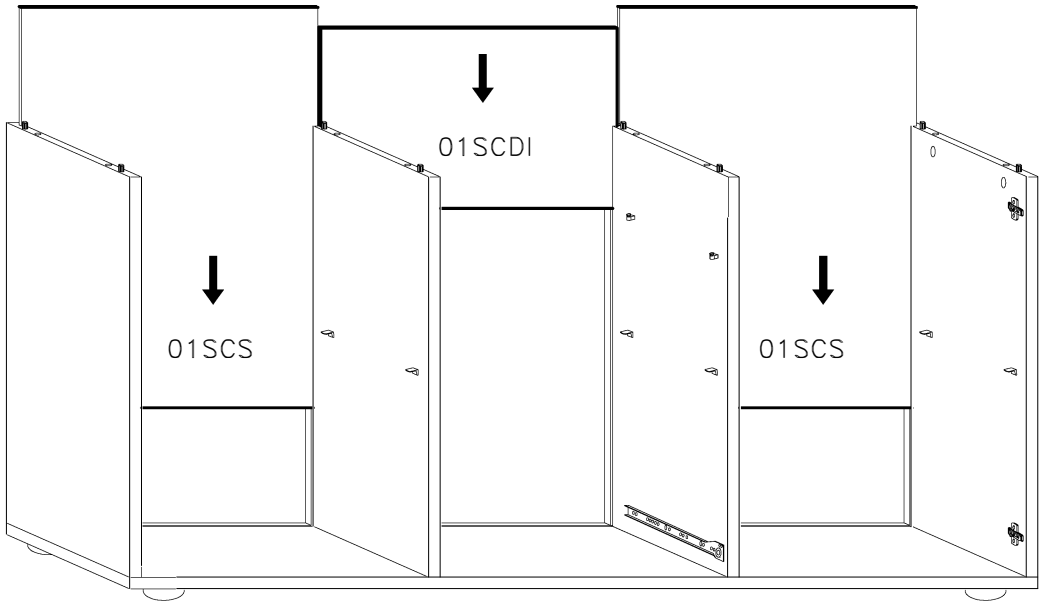


E		x8
L4530		x6
F21		x6

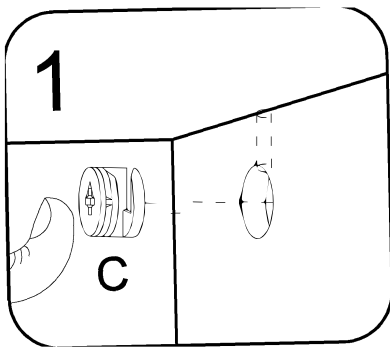
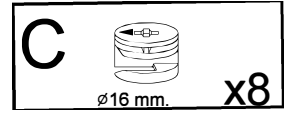
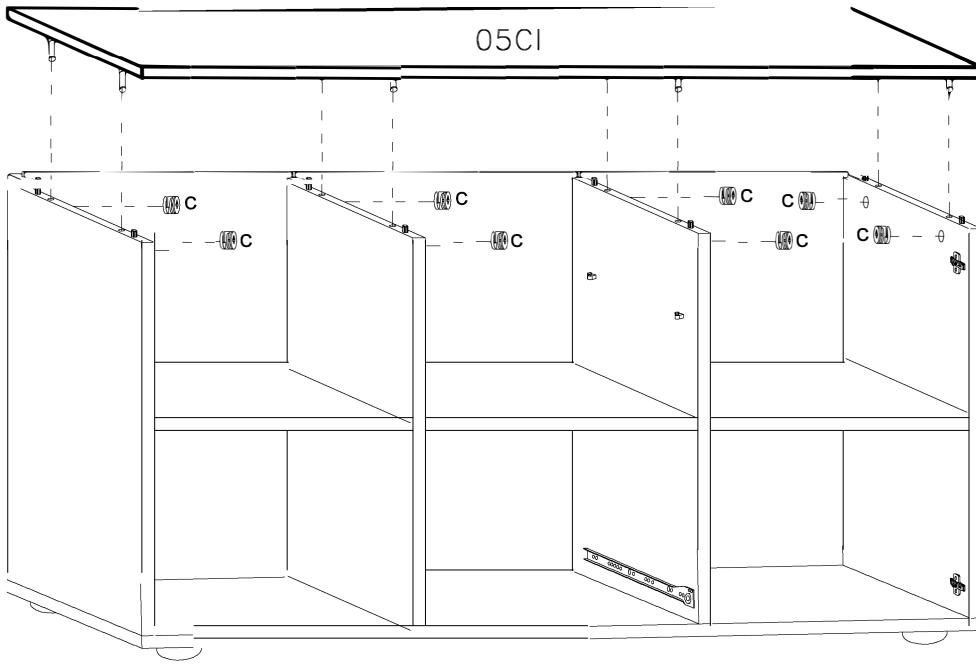
Ø 60 mm
h 20 mm



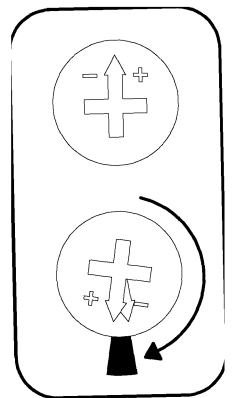
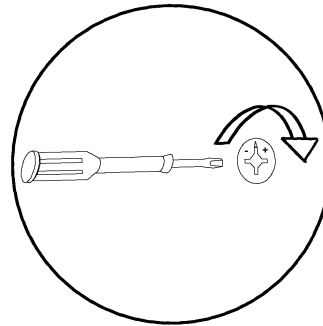
4



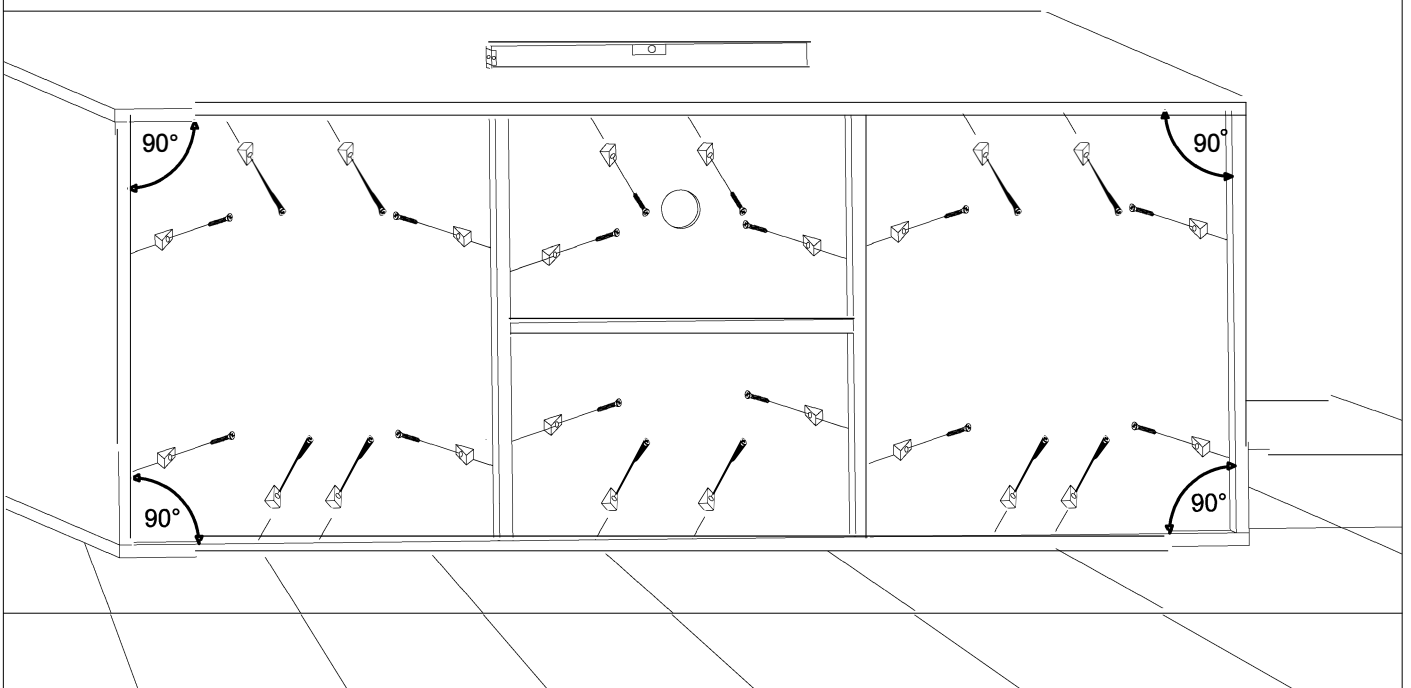
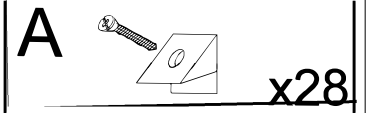
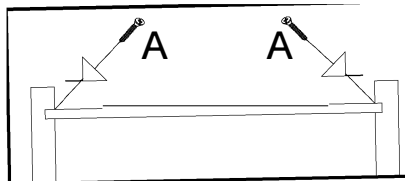
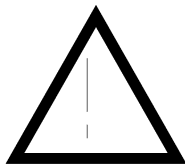
5



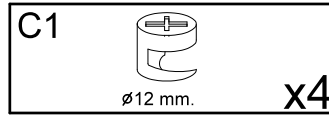
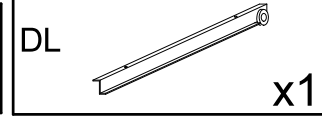
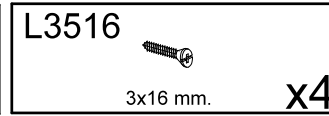
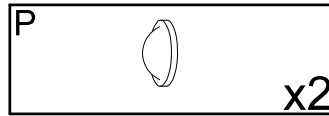
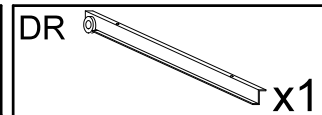
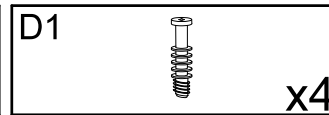
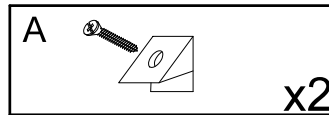
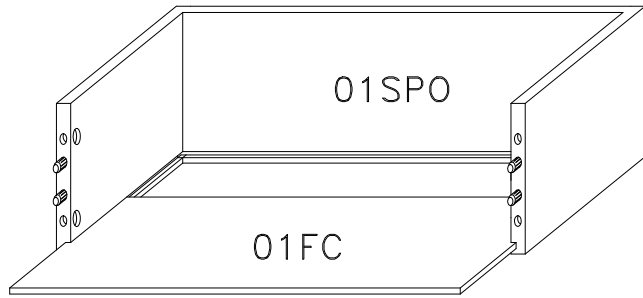
2



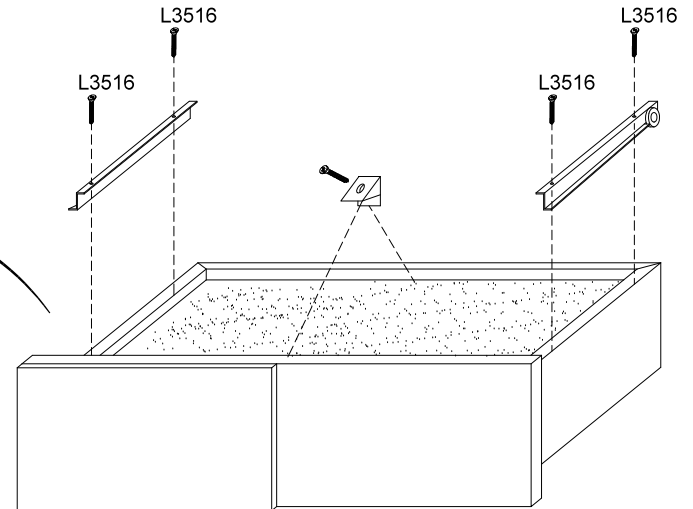
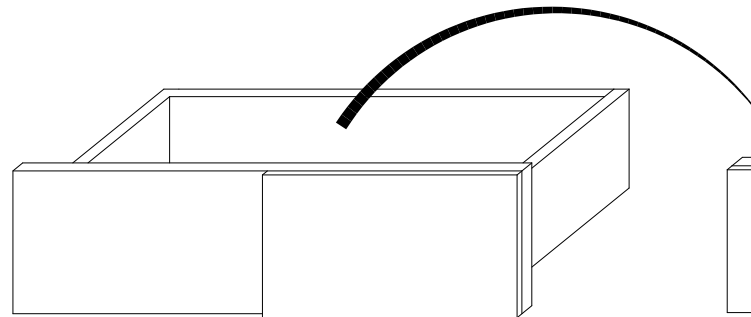
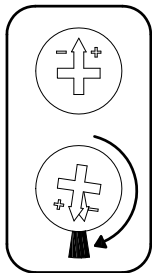
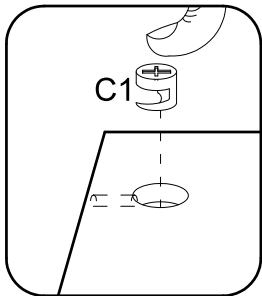
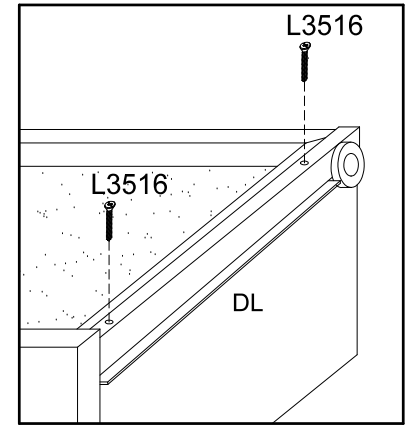
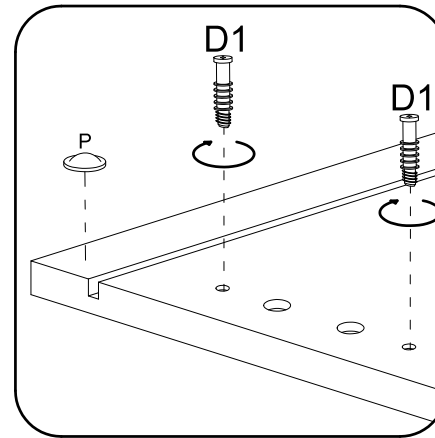
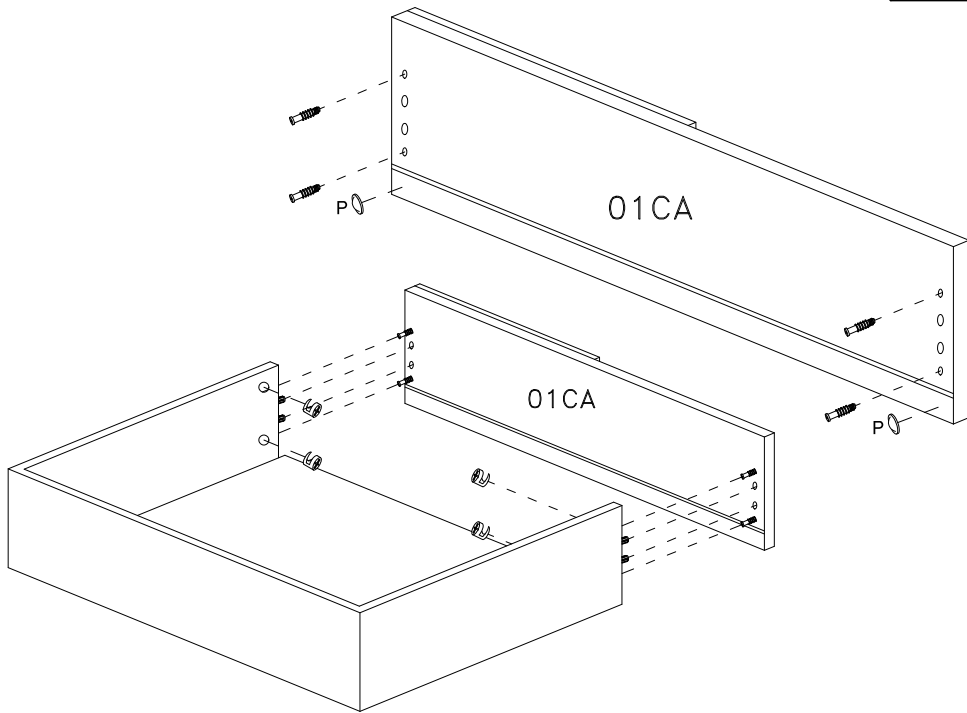
6



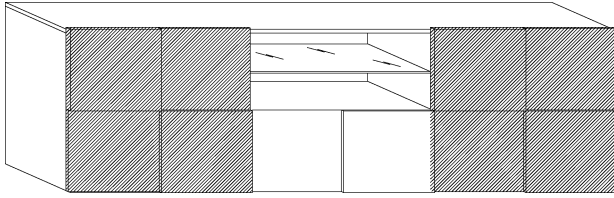
7


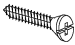



8 / 10



8



C0		x4
L15		x8
	4x15 mm.	x8
P		x2

